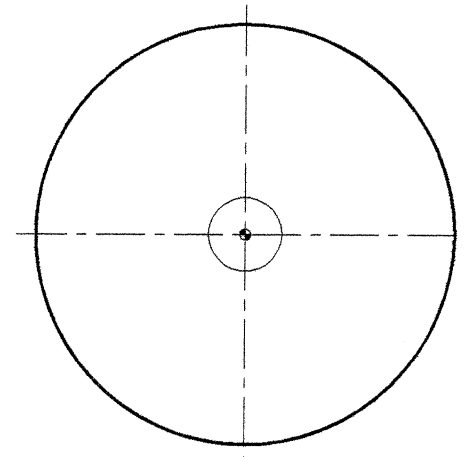
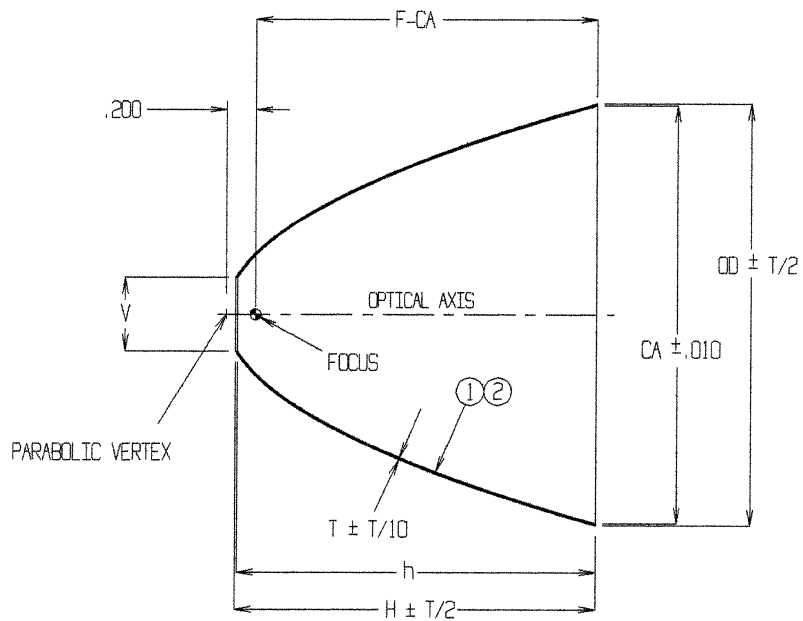


ALL CONCEPTS CONTAINED WITHIN THIS DRAWING ARE PROPRIETARY TO PHOENIX ELECTROFORMED PRODUCTS, INC.
AND MAY NOT BE CONVEYED TO THIRD PARTIES WITHOUT WRITTEN CONSENT

REVISIONS			
ZONE	REV	DESCRIPTION	DATE



.11	.380	1.920	1.963	1.129	1.107	.020	.952
.10	.500	2.850	2.902	2.489	2.460	.025	2.338
.09	.500	3.000	3.052	2.764	2.734	.025	2.613
.08	.375	3.000	3.052	2.796	2.769	.025	2.613
.07	.250	3.000	3.052	2.819	2.793	.025	2.613
.06	.500	2.500	2.552	1.904	1.875	.025	1.753
.05	.375	2.500	2.552	1.937	1.909	.025	1.753
.04	.250	2.500	2.552	1.960	1.934	.025	1.753
.03	.500	2.000	2.054	1.201	1.172	.025	1.050
.02	.375	2.000	2.054	1.234	1.206	.025	1.050
.01	.250	2.000	2.054	1.257	1.230	.025	1.050
#	V	CA	OD	H	h	T	F-CA

- ① SURFACE FINISH 80-50 SCRATCH-DIG PER MIL-D-13830A
- ② AVAILABLE REFLECTIVE ENHANCEMENT COATINGS:
 AU ELECTRO-DEPOSITED GOLD
 AF VACUUM DEPOSITED ALUMINUM / MAGNESIUM FLUORIDE (MgF2) OVERCOAT
 AD VACUUM DEPOSITED ALUMINUM / QUARTZ (SiO2) OVERCOAT
 RH ELECTRO-DEPOSITED BRIGHT RHODIUM

PARABOLIC EQUATION
 $Y^2 = 4FX$
 $F = .200$

<small>UNLESS OTHERWISE SPECIFIED DIMENSIONS ARE IN INCHES TOLERANCES ARE: FRACTIONS DECIMALS ANGLES XX ± .XX XX ± .XX XX ± .XX</small>		MATERIAL ELECTROFORMED NICKEL	PHOENIX ELECTROFORMED PRODUCTS, INC.	
FINISH ES ✓ UNLESS OTHERWISE SPECIFIED	CONTRACT NO. APPROVALS DRAWN LB CHECKED ENGR DESIGN ACTIVITY	DATE 2-13-08	TITLE PARABOLIC REFLECTOR PA1	
DD NOT SCALE DRAWING	SIZE SCALE	CAGE CODE DWG NO PA1	REV	SHEET